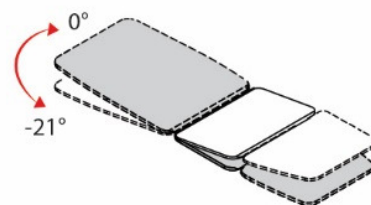
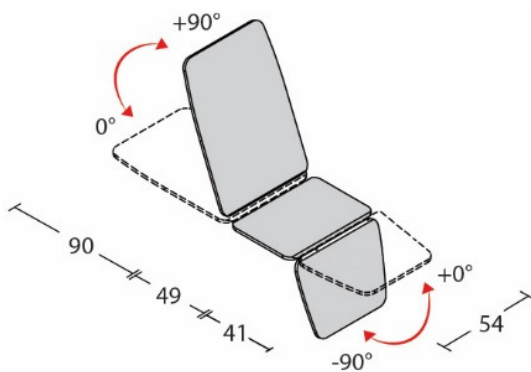


Height-adjustable armchair for examination and blood sampling.



TECHNICAL SPECIFICATIONS

Electrical height adjustment	53-85 cm
Electrical backrest adjustment	0° - 90°
Electrical footrest adjustment	0° - -90°
Electrical Trendelenburg position	0° - 21°
2 rigid front castors	75 mm
2 rubber stoppers	Rear
Armrests/side support loops	45x15 cm
Power supply	230 V 50/60



FISIOTECH SRL

Operating headquarters: Via Toniolo, 44/E-F - 31028 Vazzola (TV) - ITALY

Registered office: Via Valdoni, 19 - 31013 Cimavilla di Codognè (TV) - ITALY

Tel. +39 0438470342 - Fax +39 0438478762 - mail : info@fisiotech.com - pec : fisiotech@emailsec.it

VAT Number IT 03765100262 - Rea TV 296956

MODELS BLOOD SAMPLING ARMCHAIR

Description	Code
Blood sampling armchair	151020



HEIGHT ADJUSTMENT SYSTEMS

24 V hand control



FISIOTECH SRL

Operating headquarters: Via Toniolo, 44/E-F - 31028 Vazzola (TV) - ITALY

Registered office: Via Valdoni, 19 - 31013 Cimavilla di Codognè (TV) - ITALY

Tel. +39 0438470342 - Fax +39 0438478762 - mail : info@fisiotech.com - pec : fisiotech@emailsec.it

VAT Number IT 03765100262 - Rea TV 296956

TECHNICAL SPECIFICATIONS – PADDING

Name of material	Polyurethane foam
Reaction to fire class	1 IM (highest)
Density	30 kg/m ³
Height	40 mm



TECHNICAL SPECIFICATIONS – UPHOLSTERY



Origine ITALIA / Origin ITALY					
Caratteristiche Properties		Norma Norm	Unita' Units	Valori Values	Tolleranza Allowance
Composizione spalmatura / Coating composition		100% PVC			
Resistenza a trazione Tensile resistance	Long. Long. Trasv. Across	UNI EN ISO 1421	N/5cm	300	minimo minimum
			N/5cm	200	minimo minimum
Allungamento a rottura Ultimate elongation	Long. Long. Trasv. Across	UNI EN ISO 1421	%	40	minimo minimum
			%	145	minimo minimum
Resistenza alla lacerazione Tear resistance	Long. Long. Trasv. Across	UNI EN ISO 4674 meth.B	N	20	minimo minimum
			N	15	minimo minimum
Solidità allo sfregamento Colour fastness to rubbing	UNI EN ISO 105-X12 : 2003 Scala dei grigi / Grey scale		Secco/Dry		4
			Umido/Wet		4
Martindale	EN 13520 : ISO 12947				100.000
	EN 13520 : ISO 12947				
Classe ignifugo Flame retardant norms	UNI 9175-CLASSE 1IM		ISO 3795	BS 5852	FMVSS 302
			UNI EN 1021-1/2	TB 117	
Formaldeide Formaldehyde			ESENTE		
Lavaggi Washability	Superficie lavabile con acqua e sapone neutro Surface washable with water and neutral soap				

UPHOLSTERY COLOURS

When placing your order, please specify the upholstery colour.



FISIOTECH SRL

Operating headquarters: Via Toniolo, 44/E-F - 31028 Vazzola (TV) - ITALY

Registered office: Via Valdoni, 19 - 31013 Cimavilla di Codognè (TV) - ITALY

Tel. +39 0438470342 - Fax +39 0438478762 - mail : info@fisiotech.com - pec : fisiotech@emailsec.it

VAT Number IT 03765100262 - Rea TV 296956

OPTIONAL ACCESSORIES

Code 129020 PAPER ROLL HOLDER

Metal structure to be placed under the final section of the couch



Code 129030 REMOVABLE HEADREST

Padded removable headrest for a greater patient comfort.



Code 151021 DRIP POLE

Drip pole with two hooks.



Code 120060 DOUBLE-PLY PAPER ROLL

6 rolls

Dimensions: width 60 cm – length 65 m.



FISIOTECH SRL

Operating headquarters: Via Toniolo, 44/E-F - 31028 Vazzola (TV) - ITALY

Registered office: Via Valdoni, 19 - 31013 Cimavilla di Codognè (TV) - ITALY

Tel. +39 0438470342 - Fax +39 0438478762 - mail : info@fisiotech.com - pec : fisiotech@emailsec.it

VAT Number IT 03765100262 - Rea TV 296956