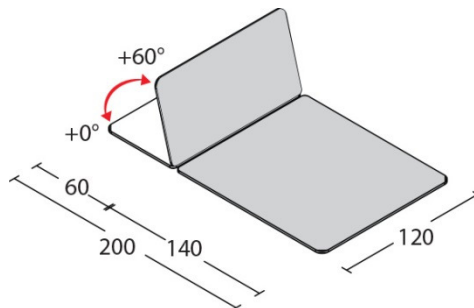


The **TITAN.2** couch is a 2-section couch. The height can be adjusted electronically. This professional couch is suitable for the Bobath method.



TECHNICAL SPECIFICATIONS

Sections	2
Under bed clearance	18 cm
Lateral offset	17 cm
Width	120 cm
Length	200 cm
Max working load, evenly distributed	350 kg
Height	45 - 90 cm
Power supply	230 V 50/60 Hz 1,5A
Actuator thrust	8000 N
IP Code	IP 66
Headrest angle with gas strut	+60° 0°
Weight	70 kg



FISIOTECH SRL

Operating Headquarters: Via Toniolo, 44/E-F - 31028 Vazzola (TV) - ITALY

Registered Office: Via Valdoni, 19 - 31013 Cimavilla di Codognè (TV) - ITALY

Tel. +39 0438470342 - Fax +39 0438478762 - mail : info@fisiotech.com - pec : fisiotech@emailsec.it

VAT Number IT 03765100262 - Rea TV 296956

TITAN.2 COUCH MODELS

Description	Code
Titan.2 – gas strut headrest adjustment	113141

HEIGHT ADJUSTMENT SYSTEMS

Titan.2 with 24V foot pedal



FISIOTECH SRL

Operating Headquarters: Via Toniolo, 44/E-F - 31028 Vazzola (TV) - ITALY

Registered Office: Via Valdoni, 19 - 31013 Cimavilla di Codognè (TV) - ITALY

Tel. +39 0438470342 - Fax +39 0438478762 - mail : info@fisiotech.com - pec : fisiotech@emailsec.it

VAT Number IT 03765100262 - Rea TV 296956

TECHNICAL SPECIFICATIONS – PADDING

Name of material	Polyurethane foam
Reaction to fire class	1 IM (highest)
Density	30 kg/m ³
Height	40 mm



TECHNICAL SPECIFICATIONS – UPHOLSTERY



Origine ITALIA / Origin ITALY					
Caratteristiche Properties		Norma Norm	Unita' Units	Valori Values	Tolleranza Allowance
Composizione spalmatura / Coating composition		100% PVC			
Resistenza a trazione Tensile resistance	Long. Long. ----- Trasv. Across	UNI EN ISO 1421	N/5cm	300	minimo minimum
			N/5cm	200	minimo minimum
Allungamento a rottura Ultimate elongation	Long. Long. ----- Trasv. Across	UNI EN ISO 1421	%	40	minimo minimum
			%	145	minimo minimum
Resistenza alla lacerazione Tear resistance	Long. Long. ----- Trasv. Across	UNI EN ISO 4674 meth.B	N	20	minimo minimum
			N	15	minimo minimum
Solidità allo sfregamento Colour fastness to rubbing	UNI EN ISO 105-X12 : 2003		Secco/Dry	4	
	Scala dei grigi / Grey scale		Umido/Wet	4	
Martindale	EN 13520 : ISO 12947		100.000		
	EN 13520 : ISO 12947				
Classe ignifugo Flame retardant norms	UNI 9175-CLASSE 1IM		ISO 3795	BS 5852	FMVSS 302
			UNI EN 1021-1/2	TB 117	
Formaldeide Formaldehyde			ESENTE		
Lavaggi Washability	Superficie lavabile con acqua e sapone neutro Surface washable with water and neutral soap				

UPHOLSTERY COLOURS

When placing your order, please specify the upholstery colour.



FISIOTECH SRL

Operating Headquarters: Via Toniolo, 44/E-F - 31028 Vazzola (TV) - ITALY

Registered Office: Via Valdoni, 19 - 31013 Cimavilla di Codognè (TV) - ITALY

Tel. +39 0438470342 - Fax +39 0438478762 - mail : info@fisiotech.com - pec : fisiotech@emailsec.it

VAT Number IT 03765100262 - Rea TV 296956

GENERIC OPTIONAL ACCESSORIES

Code 120020 FLOOR PAPER ROLL HOLDER

Paper roll holder for examination, massage therapy, and treatment couches.

Easy to move, powder-coated metal structure.

Dimensions: length 71 cm, width 25 cm, height 81 cm



Code 120060 DOUBLE-PLY PAPER ROLL

6 rolls

Dimensions: width 60 cm – length 65 m.



FISIOTECH SRL

Operating Headquarters: Via Toniolo, 44/E-F - 31028 Vazzola (TV) - ITALY

Registered Office: Via Valdoni, 19 - 31013 Cimavilla di Codognè (TV) - ITALY

Tel. +39 0438470342 - Fax +39 0438478762 - mail : info@fisiotech.com - pec : fisiotech@emailsec.it

VAT Number IT 03765100262 - Rea TV 296956

BOBATH SERIES OPTIONAL ACCESSORIES

Code 123030 DOUBLE FOOT PEDAL

The height can be adjusted from both sides of the couch.



Code 120030 COT SIDES

Cot sides ensuring the patient's safety while lying on the couch. Easy to use, with a simple manual mechanism.



FISIOTECH SRL

Operating Headquarters: Via Toniolo, 44/E-F - 31028 Vazzola (TV) - ITALY

Registered Office: Via Valdoni, 19 - 31013 Cimavilla di Codognè (TV) - ITALY

Tel. +39 0438470342 - Fax +39 0438478762 - mail : info@fisiotech.com - pec : fisiotech@emailsec.it

VAT Number IT 03765100262 - Rea TV 296956