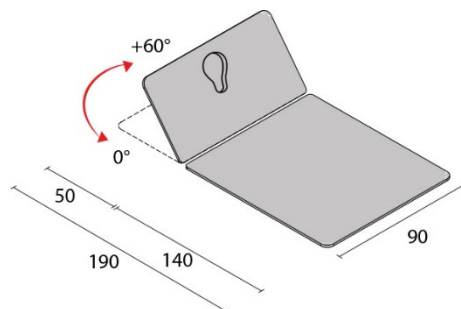


The **PROTEO** couch is a 2-section, clear varnished wooden-framed, fixed height couch. This couch can be used by rehabilitation and physiotherapy professionals.



TECHNICAL SPECIFICATIONS

Sections	2
Width	90 cm
Length	190 cm
Height	78 or 50 cm
Max working load, evenly distributed	130 kg
Headrest angle, adjustable with "rastofix"	+ 60°
Breathing hole and bung	as standard
Weight	50 kg



PROTEO COUCH MODELS

Description	Code
PROTEO	116060

FISIOTECH SRL

Operating Headquarters: Via Toniolo, 44/E-F - 31028 Vazzola (TV) - ITALY

Registered Office: Via Valdoni, 19 - 31013 Cimavilla di Codognè (TV) - ITALY

Tel. +39 0438470342 - Fax +39 0438478762 - mail : info@fisiotech.com - pec : fisiotech@emailsec.it

VAT Number IT 03765100262 - Rea TV 296956

TECHNICAL SPECIFICATIONS – PADDING

Name of material	Polyurethane foam
Reaction to fire class	1 IM (highest)
Density	30 kg/m ³
Height	40 mm



TECHNICAL SPECIFICATIONS – UPHOLSTERY

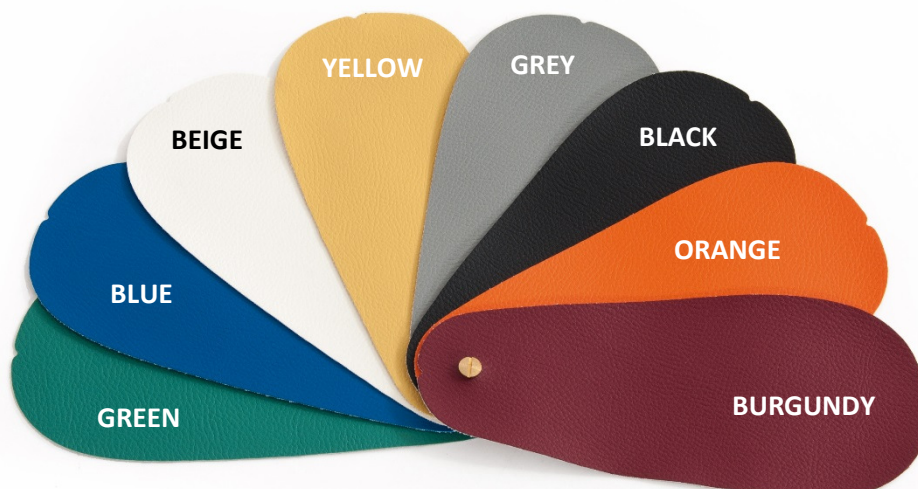


Origine ITALIA / Origin ITALY

Caratteristiche Properties	Norma Norm	Unita' Units	Valori Values	Tolleranza Allowance
Composizione spalmatura / Coating composition		100% PVC		
Resistenza a trazione Tensile resistance	Long. Long. Trasv. Across	UNI EN ISO 1421	N/5cm 300	minimo minimum
Allungamento a rottura Ultimate elongation	Long. Long. Trasv. Across	UNI EN ISO 1421	% 40 % 145	minimo minimum
Resistenza alla lacerazione Tear resistance	Long. Long. Trasv. Across	UNI EN ISO 4674 meth.B	N 20 N 15	minimo minimum
Solidità allo sfregamento Colour fastness to rubbing	UNI EN ISO 105-X12 : 2003 Scala dei grigi / Grey scale	Secco/Dry Umido/Wet	4 4	
Martindale	EN 13520 : ISO 12947 EN 13520 : ISO 12947		100.000	
Classe ignifugo Flame retardant norms	UNI 9175-CLASSE 1IM UNI EN 1021-1/2	ISO 3795 BS 5852 FMVSS 302 TB 117		
Formaldeide Formaldehyde		ESENTE		
Lavaggi Washability	Superficie lavabile con acqua e sapone neutro Surface washable with water and neutral soap			

UPHOLSTERY COLOURS

When placing your order, please specify the upholstery colour.



FISIOTECH SRL

Operating Headquarters: Via Toniolo, 44/E-F - 31028 Vazzola (TV) - ITALY

Registered Office: Via Valdoni, 19 - 31013 Cimavilla di Codognè (TV) - ITALY

Tel. +39 0438470342 - Fax +39 0438478762 - mail : info@fisiotech.com - pec : fisiotech@emailsec.it

VAT Number IT 03765100262 - Rea TV 296956

GENERIC OPTIONAL ACCESSORIES

Code 120020 FLOOR PAPER ROLL HOLDER

Paper roll holder for examination, massage therapy, and treatment couches.

Easy to move, powder-coated metal structure.

Dimensions: length 71 cm, width 25 cm, height 81 cm



Code 120060 DOUBLE-PLY PAPER ROLL

6 rolls

Dimensions: width 60 cm - length 65 m.



FISIOTECH SRL

Operating Headquarters: Via Toniolo, 44/E-F - 31028 Vazzola (TV) - ITALY

Registered Office: Via Valdoni, 19 - 31013 Cimavilla di Codognè (TV) - ITALY

Tel. +39 0438470342 - Fax +39 0438478762 - mail : info@fisiotech.com - pec : fisiotech@emailsec.it

VAT Number IT 03765100262 - Rea TV 296956

PROTEO COUCH SET-CLOSE SERIES OPTIONAL ACCESSORIES

Code 126010 PAPER ROLL HOLDER

Metal structure to be placed under the final section of the couch.



Code 126050 LOWER SHELF

Lower shelf for 90cm-wide couches.



FISIOTECH SRL

Operating Headquarters: Via Toniolo, 44/E-F - 31028 Vazzola (TV) - ITALY

Registered Office: Via Valdoni, 19 - 31013 Cimavilla di Codognè (TV) - ITALY

Tel. +39 0438470342 - Fax +39 0438478762 - mail : info@fisiotech.com - pec : fisiotech@emailsec.it

VAT Number IT 03765100262 - Rea TV 296956