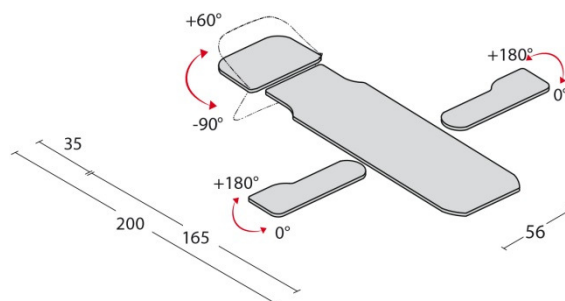


The **POSEIDONE** couch is a professional couch used by rehabilitation and physiotherapy professionals for examination and Postural Re-Education treatments.



TECHNICAL SPECIFICATIONS

Sections	4
Under bed clearance	12 cm
Lateral offset	0 cm
Width	56 cm
Length	200 cm
Max working load, evenly distributed	200 kg
Height adjustment	56 - 100 cm
Power supply	230 V 50/60 Hz 1,5A
Actuator thrust	8000 N
IP Code	IP 66
Footrest angle – with gas spring	+60° – 90°
Sliding armrests rotating by	180°
Weight	70 kg



FISIOTECH SRL

Operating Headquarters: Via Toniolo, 44/E-F - 31028 Vazzola (TV) - ITALY

Registered Office: Via Valdoni, 19 - 31013 Cimavilla di Codognè (TV) - ITALY

Tel. +39 0438470342 - Fax +39 0438478762 - mail : info@fisiotech.com - pec : fisiotech@emailsec.it

VAT Number IT 03765100262 - Rea TV 296956

POSEIDONE COUCH MODELS

Description	Code
Poseidone with foot pedal	117011
Poseidone with all around foot bar switch	117012
Poseidone with aluminium all around foot bar switch	117018

HEIGHT ADJUSTMENT SYSTEMS

Poseidone with 24 V foot pedal



Poseidone with all around foot bar switch



Poseidone with aluminium all around foot bar switch



FISIOTECH SRL

Operating Headquarters: Via Toniolo, 44/E-F - 31028 Vazzola (TV) - ITALY

Registered Office: Via Valdoni, 19 - 31013 Cimavilla di Codognè (TV) - ITALY

Tel. +39 0438470342 - Fax +39 0438478762 - mail : info@fisiotech.com - pec : fisiotech@emailsec.it

VAT Number IT 03765100262 - Rea TV 296956

TECHNICAL SPECIFICATIONS – PADDING

Name of material	Polyurethane foam
Reaction to fire class	1 IM (highest)
Density	100 kg/m ³
Height	10 mm



TECHNICAL SPECIFICATIONS – UPHOLSTERY



Origine ITALIA / Origin ITALY

Caratteristiche Properties	Norma	Norm	Unita' Units	Valori Values	Tolleranza Allowance
Composizione spalmatura / Coating composition	100% PVC				
Resistenza a trazione Tensile resistance	Long. Long.	UNI EN ISO 1421	N/5cm	300	minimo minimum
	Trasv. Across		N/5cm	200	minimo minimum
Allungamento a rottura Ultimate elongation	Long. Long.	UNI EN ISO 1421	%	40	minimo minimum
	Trasv. Across		%	145	minimo minimum
Resistenza alla lacerazione Tear resistance	Long. Long.	UNI EN ISO 4674 meth.B	N	20	minimo minimum
	Trasv. Across		N	15	minimo minimum
Solidità allo sfregamento Colour fastness to rubbing	UNI EN ISO 105-X12 : 2003		Secco/Dry	4	
	Scala dei grigi / Grey scale		Umido/Wet	4	
Martindale	EN 13520 : ISO 12947		100.000		
	EN 13520 : ISO 12947				
Classe ignifugo Flame retardant norms	UNI 9175-CLASSE 1IM	ISO 3795	BS 5852	FMVSS 302	
	UNI EN 1021-1/2		TB 117		
Formaldeide Formaldehyde	ESENTE				
Lavaggi Washability	Superficie lavabile con acqua e sapone neutro Surface washable with water and neutral soap				

UPHOLSTERY COLOURS

When placing your order, please specify the upholstery colour.



FISIOTECH SRL

Operating Headquarters: Via Toniolo, 44/E-F - 31028 Vazzola (TV) - ITALY

Registered Office: Via Valdoni, 19 - 31013 Cimavilla di Codognè (TV) - ITALY

Tel. +39 0438470342 - Fax +39 0438478762 - mail : info@fisiotech.com - pec : fisiotech@emailsec.it

VAT Number IT 03765100262 - Rea TV 296956

GENERIC OPTIONAL ACCESSORIES

Code 120020 FLOOR PAPER ROLL HOLDER

Paper roll holder for examination, massage therapy, and treatment couches.

Easy to move, powder-coated metal structure.

Dimensions: length 71 cm, width 25 cm, height 81 cm



Code 120060 DOUBLE-PLY PAPER ROLL

6 rolls

Dimensions: width 60 cm – length 65 m.



FISIOTECH SRL

Operating Headquarters: Via Toniolo, 44/E-F - 31028 Vazzola (TV) - ITALY

Registered Office: Via Valdoni, 19 - 31013 Cimavilla di Codognè (TV) - ITALY

Tel. +39 0438470342 - Fax +39 0438478762 - mail : info@fisiotech.com - pec : fisiotech@emailsec.it

VAT Number IT 03765100262 - Rea TV 296956

POSEIDONE COUCH POSTURAL SERIES OPTIONAL ACCESSORIES

Code 120010 PAPER ROLL HOLDER

Metal structure to be placed under the final section of the couch.



Code 122010 CASTORS

Four retractable castors to be used only to move the couch.
Ø 75 mm.



Code 125010 POLE ADJUSTABLE IN HEIGHT

Removable pole, adjustable in height and equipped with rope, ankle strap and pulley.



FISIOTECH SRL

Operating Headquarters: Via Toniolo, 44/E-F - 31028 Vazzola (TV) - ITALY

Registered Office: Via Valdoni, 19 - 31013 Cimavilla di Codognè (TV) - ITALY

Tel. +39 0438470342 - Fax +39 0438478762 - mail : info@fisiotech.com - pec : fisiotech@emailsec.it

VAT Number IT 03765100262 - Rea TV 296956