

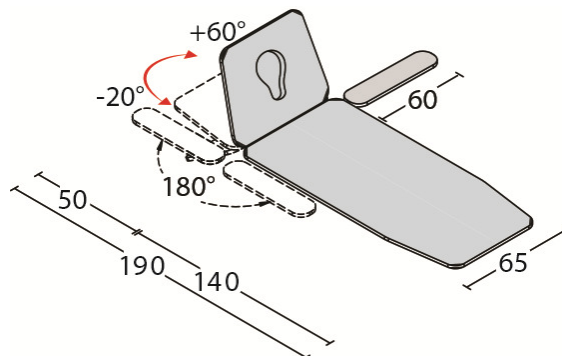


The **IRIS** couch is a professional couch used by rehabilitation and physiotherapy professionals for examination and Postural Re-Education treatments.



TECHNICAL SPECIFICATIONS

Sections	4
Lateral offset	17 cm
Width	65 cm
Length	190 cm
Max working load, evenly distributed	200 kg
Height – electrically or hydraulically adjusted	45 - 90 cm
Power supply	230 V 50/60 Hz 1,5A
Actuator thrust	8000 N
IP Code	IP 66
Headrest angle – with gas spring	+60° – 20°
Breathing hole and bung	as standard
Sliding armrests rotating by	180°
Weight	70 kg



FISIOTECH SRL

Operating Headquarters: Via Toniolo, 44/E-F - 31028 Vazzola (TV) - ITALY

Registered Office: Via Valdoni, 19 - 31013 Cimavilla di Codognè (TV) - ITALY

Tel. +39 0438470342 - Fax +39 0438478762 - mail : info@fisiotech.com - pec : fisiotech@emailsec.it

VAT Number IT 03765100262 - Rea TV 296956

IRIS COUCH MODELS

Description	Code
IRIS with foot pedal	117021
IRIS with all around foot bar switch	117022
IRIS – hydraulic	117023

SISTEMI DI REGOLAZIONE ALTEZZA

IRIS with 24V foot pedal



IRIS with all around foot bar switch



IRIS – hydraulic



FISIOTECH SRL

Operating Headquarters: Via Toniolo, 44/E-F - 31028 Vazzola (TV) - ITALY

Registered Office: Via Valdoni, 19 - 31013 Cimavilla di Codognè (TV) - ITALY

Tel. +39 0438470342 - Fax +39 0438478762 - mail : info@fisiotech.com - pec : fisiotech@emailsec.it

VAT Number IT 03765100262 - Rea TV 296956

TECHNICAL SPECIFICATIONS – PADDING

Name of material	Polyurethane foam
Reaction to fire class	1 IM (highest)
Density	30 kg/m ³
Height	40 mm



TECHNICAL SPECIFICATIONS – UPHOLSTERY

Origine ITALIA / Origin ITALY						
Caratteristiche Properties		Norma	Norm	Unita' Units	Valori Values	Tolleranza Allowance
Composizione spalmatura / Coating composition		100% PVC				
Resistenza a trazione	Long. Long.	UNI EN ISO 1421		N/5cm	300	minimo
Tensile resistance	Trasv. Across					minimo
Allungamento a rottura	Long. Long.	UNI EN ISO 1421		%	40	minimo
Ultimate elongation	Trasv. Across					minimo
Resistenza alla lacerazione	Long. Long.	UNI EN ISO 4674 meth.B		N	20	minimo
Tear resistance	Trasv. Across					minimo
Solidità allo sfregamento Colour fastness to rubbing		UNI EN ISO 105-X12 : 2003		Secco/Dry	4	
		Scala dei grigi / Grey scale		Umido/Wet	4	
Martindale		EN 13520 : ISO 12947			100.000	
		EN 13520 : ISO 12947				
Classe ignifugo Flame retardant norms		UNI 9175-CLASSE 1IM	ISO 3795	BS 5852	FMVSS 302	
		UNI EN 1021-1/2		TB 117		
Formaldeide Formaldehyde				ESENTE		
Lavaggi Washability		Superficie lavabile con acqua e sapone neutro Surface washable with water and neutral soap				

UPHOLSTERY COLOURS

When placing your order, please specify the upholstery colour.



FISIOTECH SRL

Operating Headquarters: Via Toniolo, 44/E-F - 31028 Vazzola (TV) - ITALY

Registered Office: Via Valdoni, 19 - 31013 Cimavilla di Codognè (TV) - ITALY

Tel. +39 0438470342 - Fax +39 0438478762 - mail : info@fisiotech.com - pec : fisiotech@emailsec.it

VAT Number IT 03765100262 - Rea TV 296956

GENERIC OPTIONAL ACCESSORIES

Code 120020 FLOOR PAPER ROLL HOLDER

Paper roll holder for examination, massage therapy, and treatment couches.

Easy to move, powder-coated metal structure.

Dimensions: length 71 cm, width 25 cm, height 81 cm



Code 120060 DOUBLE-PLY PAPER ROLL

6 rolls

Dimensions: width 60 cm – length 65 m.



FISIOTECH SRL

Operating Headquarters: Via Toniolo, 44/E-F - 31028 Vazzola (TV) - ITALY

Registered Office: Via Valdoni, 19 - 31013 Cimavilla di Codognè (TV) - ITALY

Tel. +39 0438470342 - Fax +39 0438478762 - mail : info@fisiotech.com - pec : fisiotech@emailsec.it

VAT Number IT 03765100262 - Rea TV 296956

IRIS COUCH POSTURAL SERIES OPTIONAL ACCESSORIES

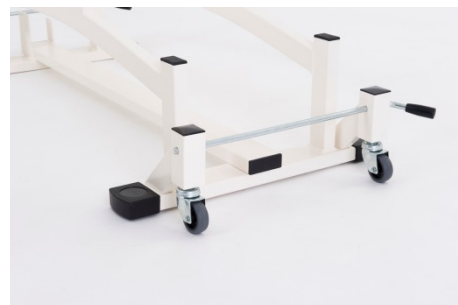
Code 120010 PAPER ROLL HOLDER

Metal structure to be placed under the final section of the couch.



Code 121010 CASTORS

Four retractable castors to be used only to move the couch.
Ø 60 mm.



Code 125010 POLE ADJUSTABLE IN HEIGHT

Removable pole, adjustable in height and equipped with rope, ankle strap and pulley.



FISIOTECH SRL

Operating Headquarters: Via Toniolo, 44/E-F - 31028 Vazzola (TV) - ITALY

Registered Office: Via Valdoni, 19 - 31013 Cimavilla di Codognè (TV) - ITALY

Tel. +39 0438470342 - Fax +39 0438478762 - mail : info@fisiotech.com - pec : fisiotech@emailsec.it

VAT Number IT 03765100262 - Rea TV 296956