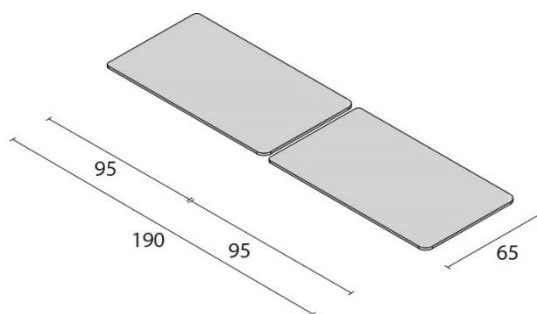


The **HYDRA** couch is a wooden portable table, whose height can be adjusted. The table can be used for examination and treatment.



## TECHNICAL SPECIFICATIONS

Sections	1
Length (open)	218 cm
Width (open)	65 cm
Manually adjustable height	60 - 75 cm
Dimensions closed (L x W x H)	95x65x20 cm
Max working load, evenly distributed	150 kg
Weight	25 kg



## HYDRA TABLE MODELS

Description	Code
HYDRA	116510

### FISIOTECH SRL

**Operating Headquarters:** Via Toniolo, 44/E-F - 31028 Vazzola (TV) - ITALY

**Registered Office:** Via Valdoni, 19 - 31013 Cimavilla di Codognè (TV) - ITALY

Tel. +39 0438470342 - Fax +39 0438478762 - mail: info@fisiotech.com - pec: fisiotech@emailsec.it

VAT Number IT 03765100262 - Rea TV 296956

## TECHNICAL SPECIFICATIONS – PADDING

Name of material	Polyurethane foam
Reaction to fire class	1 IM (highest)
Density	30 kg/m <sup>3</sup>
Height	40 mm



## TECHNICAL SPECIFICATIONS – UPHOLSTERY



Origine ITALIA / Origin ITALY					
Caratteristiche Properties	Norma	Norm	Unita' Units	Valori Values	Tolleranza Allowance
Composizione spalmatura / Coating composition			100% PVC		
Resistenza a trazione Tensile resistance	Long. Long.	UNI EN ISO 1421	N/5cm	300	minimo minimum
	Trasv. Across		N/5cm	200	minimo minimum
Allungamento a rottura Ultimate elongation	Long. Long.	UNI EN ISO 1421	%	40	minimo minimum
	Trasv. Across		%	145	minimo minimum
Resistenza alla lacerazione Tear resistance	Long. Long.	UNI EN ISO 4674 meth.B	N	20	minimo minimum
	Trasv. Across		N	15	minimo minimum
Solidità allo sfregamento Colour fastness to rubbing	UNI EN ISO 105-X12 : 2003		Secco/Dry	4	
	Scala dei grigi / Grey scale		Umido/Wet	4	
Martindale	EN 13520 : ISO 12947		100.000		
	EN 13520 : ISO 12947				
Classe ignifugo Flame retardant norms	UNI 9175-CLASSE 1IM	ISO 3795	BS 5852	FMVSS 302	
Formaldeide Formaldehyde			ESENTE		
Lavaggi Washability	Superficie lavabile con acqua e sapone neutro Surface washable with water and neutral soap				

## UPHOLSTERY COLOURS

When placing your order, please specify the upholstery colour.



### FISIOTECH SRL

Operating Headquarters: Via Toniolo, 44/E-F - 31028 Vazzola (TV) - ITALY

Registered Office: Via Valdoni, 19 - 31013 Cimavilla di Codognè (TV) - ITALY

Tel. +39 0438470342 - Fax +39 0438478762 - mail: info@fisiotech.com - pec: fisiotech@emailsec.it

VAT Number IT 03765100262 - Rea TV 296956

## HYDRA TABLE SET-CLOSE SERIES OPTIONAL ACCESSORIES

**Code 126070 HYDRA CARRY CASE**

Carry case for HYDRA table.



**FISIOTECH SRL**

**Operating Headquarters:** Via Toniolo, 44/E-F - 31028 Vazzola (TV) - ITALY

**Registered Office:** Via Valdoni, 19 - 31013 Cimavilla di Codognè (TV) - ITALY

Tel. +39 0438470342 - Fax +39 0438478762 - mail: [info@fisiotech.com](mailto:info@fisiotech.com) - pec: [fisiotech@emailsec.it](mailto:fisiotech@emailsec.it)

VAT Number IT 03765100262 - Rea TV 296956