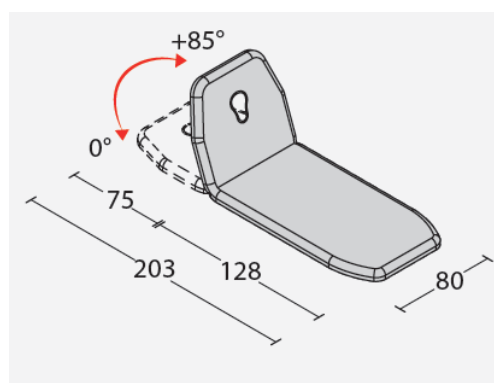
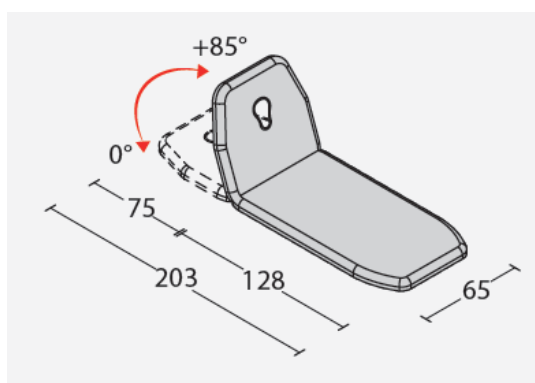


The **ELETTRA 1** couch is a two-section couch. The height can be adjusted electrically. This couch is suitable for physical therapy, massage therapy, and examination.



TECHNICAL SPECIFICATIONS

Sections	2
Under bed clearance	14,5 cm
Lateral offset	35 cm
Width	65 or 80 cm
Length	203 cm
Max working load, evenly distributed	200 kg
Height	49 - 81 cm
Power supply	230 V 50/60 Hz 1,5A
Actuator thrust	8000 N
IP Code	IP 66
Headrest angle – adjustable with gas spring	0° +85°
Breathing hole and bung	as standard
Weight	60 kg



FISIOTECH SRL

Operating Headquarters: Via Toniolo, 44/E-F - 31028 Vazzola (TV) - ITALY

Registered Office: Via Valdoni, 19 - 31013 Cimavilla di Codognè (TV) - ITALY

Tel. +39 0438470342 - Fax +39 0438478762 - mail : info@fisiotech.com - pec : fisiotech@emailsec.it

VAT Number IT 03765100262 - Rea TV 296956

ELETTRA1 COUCH MODELS

Description	Code
Elettra 1 with foot pedal. "S"tandard / "C"omfort	1112A10P1 S/C
Elettra 1 with all around foot bar switch. "S"tandard / "C"omfort	1112A10C1 S/C
Hydraulic Elettra 1. "S"tandard / "C"omfort	1112A10R0 S/C
Elettra 1 LARGE with foot pedal. "S"tandard / "C"omfort	1112A11P1 S/C
Elettra 1 LARGE all around foot bar switch. "S"tandard / "C"omfort	1112A11C1 S/C
Hydraulic Elettra 1 LARGE. "S"tandard / "C"omfort	1112A11R0 S/C

HEIGHT ADJUSTMENT SYSTEMS



Elettra 2 with 24V foot pedal



Elettra 2 with all around foot bar switch



Elettra 2 hydraulic

PADDING WITH COMFORT HEAD



FISIOTECH SRL

Operating Headquarters: Via Toniolo, 44/E-F - 31028 Vazzola (TV) - ITALY

Registered Office: Via Valdoni, 19 - 31013 Cimavilla di Codognè (TV) - ITALY

Tel. +39 0438470342 - Fax +39 0438478762 - mail: info@fisiotech.com - pec: fisiotech@emailsec.it

VAT Number IT 03765100262 - Rea TV 296956

TECHNICAL SPECIFICATIONS – PADDING

Name of material	Polyurethane foam
Reaction to fire class	1 IM (highest)
Density	30 kg/m ³
Height	40 mm



AVAILABLE UPHOLSTERY COLOURS



FISIOTECH SRL

Operating Headquarters: Via Toniolo, 44/E-F - 31028 Vazzola (TV) - ITALY

Registered Office: Via Valdoni, 19 - 31013 Cimavilla di Codognè (TV) - ITALY

Tel. +39 0438470342 - Fax +39 0438478762 - mail: info@fisiotech.com - pec: fisiotech@emailsec.it

VAT Number IT 03765100262 - Rea TV 296956

TECHNICAL SPECIFICATIONS – UPHOLSTERY

FEATURE	TEST METHOD	UNIT	LIMIT VALUE
Tensile strength	UNI EN ISO 1421 Method 1	N	Lengthwise ≥ 210 Crosswise ≥ 90
Elongation strength	UNI EN ISO 1421 Method 1	%	Lengthwise ≥ 85 Crosswise ≥ 140
Determination of tear force	EN ISO 13937-2: 2000	daN	Lengthwise ≥ 2,5 Crosswise ≥ 2,2
Colour fastness to crocking	UNI EN ISO 105 X12: 2003 UNI EN ISO 105 D02: 1998	grey scale	Dry 4 Bleach 4/5 Ethyl alcohol 3/4
Determination of abrasion resistance: Martindale abrader	UNI EN ISO 5470-2: 2004	cycles	Method 1 (direct) 65.000 Method 2 (reverse) 210.000
Reaction ignition Fireproof class	UNI 9175: 1987 UNI 9175/FA1: 1994		CLASSE 1.IM
Free and hydrolyzed formaldehyde	UNI EN ISO 14184-1: 2011	mg/Kg	< 3
Phtalates	UNI EN ISO 14389: 2014	%	< 0,06
Arylamines	UNI EN ISO 14362-1: 2012	mg/Kg	Not detectable
Cleaning	Clean with damp soapy cloth and rinse well with clean water. Do not use solvents, bleaches, synthetic detergents, polishes or aerosol spray.		
Specific features	Antibacterial Fingicide		
Composition	Plasticised PVC 88% - Polyester 12%		

FIRE RESISTANCE ACCORDING TO:
IMO - 2010 FTP CODE Part 8
"Test for upholstered furniture"
par 7.2 SMOULDERING CIGARETTE TEST
par 7.3 PROPANE FLAME TEST
EN 1021-1: 2006 smouldering cigarette test
EN 1021-2: 2006 match flame equivalent test

FISIOTECH SRL

Operating Headquarters: Via Toniolo, 44/E-F - 31028 Vazzola (TV) - ITALY

Registered Office: Via Valdoni, 19 - 31013 Cimavilla di Codognè (TV) - ITALY

Tel. +39 0438470342 - Fax +39 0438478762 - mail: info@fisiotech.com - pec: fisiotech@emailsec.it

VAT Number IT 03765100262 - Rea TV 296956

SIMPLE SERIES OPTIONAL ACCESSORIES

Code 1210010 PAPER ROLL HOLDER

Metal structure to be placed under the final section of the couch.



Code 1212010 CASTORS

Four retractable castors to be used only to move the couch
Ø 75 mm.



Code 1210030 COT SIDES

Cot sides ensuring the patient's safety while lying on the couch.
Easy to use, with a simple manual mechanism.



Code 1212020 SAFETY MAGNET

Removing the magnet all electrical regulation functions are prevented. This avoids any accidental activation of the actuators.

Code 1212030 SAFETY DOUBLE CLICK WITH MAGNET

A software that allows the movement of the actuators only through a double input of the control. This avoids any accidental activation of the actuators.



Code 1212040 SWISS PLUG



Code 1212041 UK 3-PIN PLUG



FISIOTECH SRL

Operating Headquarters: Via Toniolo, 44/E-F - 31028 Vazzola (TV) - ITALY

Registered Office: Via Valdoni, 19 - 31013 Cimavilla di Codognè (TV) - ITALY

Tel. +39 0438470342 - Fax +39 0438478762 - mail : info@fisiotech.com - pec : fisiotech@emailsec.it

VAT Number IT 03765100262 - Rea TV 296956

GENERIC OPTIONAL ACCESSORIES

Code 1210020 FLOOR PAPER ROLL HOLDER

Paper roll holder for examination, massage therapy, and treatment couches.

Easy to move, powder-coated metal structure.

Dimensions: length 71 cm, width 25 cm, height 81 cm

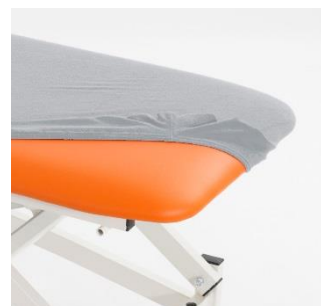


Code 1210040 COUCH COVER

Terry towel couch cover with elasticated hem. It is suitable for any 65 cm treatment and examination couch. Washable, grey fabric.

Code 1210050 COUCH COVER

Terry towel couch cover with elasticated hem. It is suitable for any 80 cm treatment and examination couch. Washable, grey fabric.



Code 1210060 DOUBLE-PLY PAPER ROLL

6 rolls

Dimensions: width 60 cm – length 65 m.



FISIOTECH SRL

Operating Headquarters: Via Toniolo, 44/E-F - 31028 Vazzola (TV) - ITALY

Registered Office: Via Valdoni, 19 - 31013 Cimavilla di Codognè (TV) - ITALY

Tel. +39 0438470342 - Fax +39 0438478762 - mail : info@fisiotech.com - pec : fisiotech@emailsec.it

VAT Number IT 03765100262 - Rea TV 296956

FISIOTECH SRL

Operating Headquarters: Via Toniolo, 44/E-F - 31028 Vazzola (TV) - ITALY

Registered Office: Via Valdoni, 19 - 31013 Cimavilla di Codognè (TV) - ITALY

Tel. +39 0438470342 - Fax +39 0438478762 - mail : info@fisiotech.com - pec : fisiotech@emailsec.it

VAT Number IT 03765100262 - Rea TV 296956