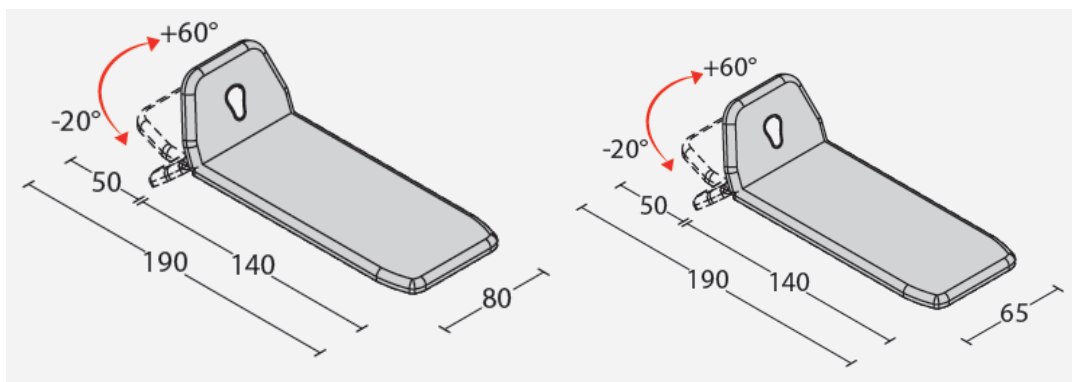


The **EDO** couch is a two-section couch. The height can be adjusted electrically or hydraulically. This couch is suitable for physical therapy, massage therapy, and examination.



## TECHNICAL SPECIFICATIONS

Sections	2
Lateral offset	17 cm
Width	65 o 80 cm
Length	200 cm
Max working load, evenly distributed	200 kg
Height	45 - 90 cm
Power supply	230 V 50/60 Hz 1,5A
Actuator thrust	8000 N
IP Code	IP 66
Headrest angle – adjustable with gas spring	+60° – 20°
Breathing hole and bung	as standard
Weight	70 kg



### FISIOTECH SRL

**Operating Headquarters:** Via Toniolo, 44/E-F - 31028 Vazzola (TV) - ITALY

**Registered Office:** Via Valdoni, 19 - 31013 Cimavilla di Codognè (TV) - ITALY

Tel. +39 0438470342 - Fax +39 0438478762 - mail : [info@fisiotech.com](mailto:info@fisiotech.com) - pec : [fisiotech@emailsec.it](mailto:fisiotech@emailsec.it)

VAT Number IT 03765100262 - Rea TV 296956

## EDO COUCH MODELS

Description	Code
Edo with foot pedal. <b>"S"tandard / "C"omfort</b>	1111A10P1 <b>S/C</b>
Edo with all around foot bar switch. <b>"S"tandard / "C"omfort</b>	1111A10C1 <b>S/C</b>
Hydraulic Edo. <b>"S"tandard / "C"omfort</b>	1111A10R0 <b>S/C</b>
Edo LARGE with foot pedal . <b>"S"tandard / "C"omfort</b>	1111A11P1 <b>S/C</b>
Edo LARGE all around foot bar switch. <b>"S"tandard / "C"omfort</b>	1111A11C1 <b>S/C</b>
Hydraulic Edo LARGE. <b>"S"tandard / "C"omfort</b>	1111A11R0 <b>S/C</b>

## HEIGHT ADJUSTMENT SYSTEMS

Edo with 24V foot pedal



Edo with all around foot switch



Edo – hydraulic



### FISIOTECH SRL

**Operating Headquarters:** Via Toniolo, 44/E-F - 31028 Vazzola (TV) - ITALY

**Registered Office:** Via Valdoni, 19 - 31013 Cimavilla di Codognè (TV) - ITALY

Tel. +39 0438470342 - Fax +39 0438478762 - mail : info@fisiotech.com - pec : fisiotech@emailsec.it

VAT Number IT 03765100262 - Rea TV 296956

## PADDING WITH COMFORT HEAD



## TECHNICAL SPECIFICATIONS – PADDING

Name of material  
Reaction to fire class  
Density  
Height

Polyurethane foam  
1 IM (highest)  
30 kg/m<sup>3</sup>  
40 mm



## AVAILABLE UPHOLSTERY COLOURS



### FISIOTECH SRL

**Operating Headquarters:** Via Toniolo, 44/E-F - 31028 Vazzola (TV) - ITALY

**Registered Office:** Via Valdoni, 19 - 31013 Cimavilla di Codognè (TV) - ITALY

Tel. +39 0438470342 - Fax +39 0438478762 - mail: info@fisiotech.com - pec: fisiotech@emailsec.it

VAT Number IT 03765100262 - Rea TV 296956

## TECHNICAL SPECIFICATIONS – UPHOLSTERY

FEATURE	TEST METHOD	UNIT	LIMIT VALUE
Tensile strength	UNI EN ISO 1421 Method 1	N	Lengthwise ≥ 210 Crosswise ≥ 90
Elongation strength	UNI EN ISO 1421 Method 1	%	Lengthwise ≥ 85 Crosswise ≥ 140
Determination of tear force	EN ISO 13937-2: 2000	daN	Lengthwise ≥ 2,5 Crosswise ≥ 2,2
Colour fastness to crocking	UNI EN ISO 105 X12: 2003 UNI EN ISO 105 D02: 1998	grey scale	Dry 4 Bleach 4/5 Ethyl alcohol 3/4
Determination of abrasion resistance: Martindale abrader	UNI EN ISO 5470-2: 2004	cycles	Method 1 (direct) 65.000 Method 2 (reverse) 210.000
Reaction ignition Fireproof class	UNI 9175: 1987 UNI 9175/FA1: 1994		CLASSE 1.IM
Free and hydrolyzed formaldehyde	UNI EN ISO 14184-1: 2011	mg/Kg	< 3
Phtalates	UNI EN ISO 14389: 2014	%	< 0,06
Arylamines	UNI EN ISO 14362-1: 2012	mg/Kg	Not detectable
Cleaning	Clean with damp soapy cloth and rinse well with clean water. Do not use solvents, bleaches, synthetic detergents, polishes or aerosol spray.		
Specific features	Antibacterial Fingicide		
Composition	Plasticised PVC 88% - Polyester 12%		

### FIRE RESISTANCE ACCORDING TO:

IMO - 2010 FTP CODE Part 8  
"Test for upholstered furniture"  
par 7.2 SMOULDERING CIGARETTE TEST  
par 7.3 PROPANE FLAME TEST  
EN 1021-1: 2006 smouldering cigarette test  
EN 1021-2: 2006 match flame equivalent test

### FISIOTECH SRL

**Operating Headquarters:** Via Toniolo, 44/E-F - 31028 Vazzola (TV) - ITALY

**Registered Office:** Via Valdoni, 19 - 31013 Cimavilla di Codognè (TV) - ITALY

Tel. +39 0438470342 - Fax +39 0438478762 - mail: info@fisiotech.com - pec: fisiotech@emailsec.it

VAT Number IT 03765100262 - Rea TV 296956

## PROFESSIONAL SERIES OPTIONAL ACCESSORIES

### Code 1210010 PAPER ROLL HOLDER

Metal structure to be placed under the final section of the couch.



### Code 1211010 CASTORS

Four retractable castors to be used only to move the couch  
Ø 60 mm.



### Code 1210030 COT SIDES

Cot sides ensuring the patient's safety while lying on the couch. Easy to use, with a simple manual mechanism.



### Code 1211020 SAFETY MAGNET

Removing the magnet all electrical regulation functions are prevented. This avoids any accidental activation of the actuators.

### Code 1211030 SAFETY DOUBLE CLICK WITH MAGNET

A software that allows the movement of the actuators only through a double input of the control. This avoids any accidental activation of the actuators



### Code 1211040 SWISS PLUG



### Code 1211041 UK 3-PIN PLUG



## FISIOTECH SRL

**Operating Headquarters:** Via Toniolo, 44/E-F - 31028 Vazzola (TV) - ITALY

**Registered Office:** Via Valdoni, 19 - 31013 Cimavilla di Codognè (TV) - ITALY

Tel. +39 0438470342 - Fax +39 0438478762 - mail: info@fisiotech.com - pec: fisiotech@emailsec.it

VAT Number IT 03765100262 - Rea TV 296956

## GENERIC OPTIONAL ACCESSORIES

### **Code 1210020 FLOOR PAPER ROLL HOLDER**

Paper roll holder for examination, massage therapy, and treatment couches.

Easy to move, powder-coated metal structure.

Dimensions: length 71 cm, width 25 cm, height 81 cm



### **Code 1210040 COUCH COVER**

Terry towel couch cover with elasticated hem. It is suitable for any 65 cm treatment and examination couch. Washable, grey fabric.

### **Code 1210050 COUCH COVER**

Terry towel couch cover with elasticated hem. It is suitable for any 80 cm treatment and examination couch. Washable, grey fabric.



### **Code 1210060 DOUBLE-PLY PAPER ROLL**

6 rolls

Dimensions: width 60 cm – length 65 m.



## **FISIOTECH SRL**

**Operating Headquarters:** Via Toniolo, 44/E-F - 31028 Vazzola (TV) - ITALY

**Registered Office:** Via Valdoni, 19 - 31013 Cimavilla di Codognè (TV) - ITALY

Tel. +39 0438470342 - Fax +39 0438478762 - mail : [info@fisitech.com](mailto:info@fisitech.com) - pec : [fisitech@emailsec.it](mailto:fisitech@emailsec.it)

VAT Number IT 03765100262 - Rea TV 296956