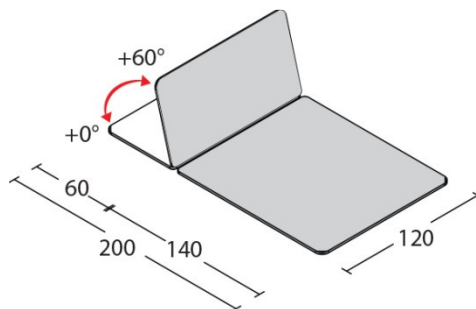


The **BOBATH M.2** couch is a 2-section couch. The height can be adjusted electronically. This professional couch is suitable for the Bobath method.



### TECHNICAL SPECIFICATIONS

Sections	2
Under bed clearance	13 cm
Lateral offset	17 cm
Width	120 cm
Length	200 cm
Max working load, evenly distributed	250 kg
Height	45 - 90 cm
Power supply	230 V 50/60 Hz 1,5A
Actuator thrust	8000 N
IP Code	IP 66
Headrest angle with gas spring	+60° 0°
Breathing hole and bung	70 kg
Weight	



#### FISIOTECH SRL

**Operating Headquarters:** Via Toniolo, 44/E-F - 31028 Vazzola (TV) - ITALY

**Registered Office:** Via Valdoni, 19 - 31013 Cimavilla di Codognè (TV) - ITALY

Tel. +39 0438470342 - Fax +39 0438478762 - mail : [info@fisiotech.com](mailto:info@fisiotech.com) - pec : [fisiotech@emailsec.it](mailto:fisiotech@emailsec.it)

VAT Number IT 03765100262 - Rea TV 296956

### BOBATH M.2 COUCH MODELS

Description	Code
Bobath M.2 – gas spring headrest adjustment	113081
Bobath M.2 – manual headrest adjustment	113091

### HEIGHT ADJUSTMENT SYSTEMS

Bobath M.2 with 24V foot pedal



#### FISIOTECH SRL

**Operating Headquarters:** Via Toniolo, 44/E-F - 31028 Vazzola (TV) - ITALY

**Registered Office:** Via Valdoni, 19 - 31013 Cimavilla di Codognè (TV) - ITALY

Tel. +39 0438470342 - Fax +39 0438478762 - mail : [info@fisiotech.com](mailto:info@fisiotech.com) - pec : [fisiotech@emailsec.it](mailto:fisiotech@emailsec.it)

VAT Number IT 03765100262 - Rea TV 296956

### TECHNICAL SPECIFICATIONS – PADDING

Name of material	Polyurethane foam
Reaction to fire class	1 IM (highest)
Density	30 kg/m <sup>3</sup>
Height	40 mm



### TECHNICAL SPECIFICATIONS – UPHOLSTERY



Origine ITALIA / Origin ITALY					
Caratteristiche Properties		Norma Norm	Unita' Units	Valori Values	Tolleranza Allowance
Composizione spalmatura / Coating composition		100% PVC			
Resistenza a trazione Tensile resistance	Long. Long. ----- Trasv. Across	UNI EN ISO 1421	N/5cm	300	minimo minimum
			N/5cm	200	minimo minimum
Allungamento a rottura Ultimate elongation	Long. Long. ----- Trasv. Across	UNI EN ISO 1421	%	40	minimo minimum
			%	145	minimo minimum
Resistenza alla lacerazione Tear resistance	Long. Long. ----- Trasv. Across	UNI EN ISO 4674 meth.B	N	20	minimo minimum
			N	15	minimo minimum
Solidità allo sfregamento Colour fastness to rubbing	UNI EN ISO 105-X12 : 2003 Scala dei grigi / Grey scale		Secco/Dry	4	
			Umido/Wet	4	
Martindale	EN 13520 : ISO 12947		100.000		
	EN 13520 : ISO 12947				
Classe ignifugo Flame retardant norms	UNI 9175-CLASSE 1IM UNI EN 1021-1/2		ISO 3795 BS 5852 TB 117	FMVSS 302	
Formaldeide Formaldehyde			ESENTE		
Lavaggi Washability	Superficie lavabile con acqua e sapone neutro Surface washable with water and neutral soap				

### UPHOLSTERY COLOURS

When placing your order, please specify the upholstery colour.



#### FISIOTECH SRL

Operating Headquarters: Via Toniolo, 44/E-F - 31028 Vazzola (TV) - ITALY

Registered Office: Via Valdoni, 19 - 31013 Cimavilla di Codognè (TV) - ITALY

Tel. +39 0438470342 - Fax +39 0438478762 - mail : info@fisiotech.com - pec : fisiotech@emailsec.it

VAT Number IT 03765100262 - Rea TV 296956

### GENERIC OPTIONAL ACCESSORIES

**Code 120020 FLOOR PAPER ROLL HOLDER**

Paper roll holder for examination, massage therapy, and treatment couches.

Easy to move, powder-coated metal structure.

Dimensions: length 71 cm, width 25 cm, height 81 cm



**Code 120060 DOUBLE-PLY PAPER ROLL**

6 rolls

Dimensions: width 60 cm – length 65 m.



**FISIOTECH SRL**

**Operating Headquarters:** Via Toniolo, 44/E-F - 31028 Vazzola (TV) - ITALY

**Registered Office:** Via Valdoni, 19 - 31013 Cimavilla di Codognè (TV) - ITALY

Tel. +39 0438470342 - Fax +39 0438478762 - mail : [info@fisiotech.com](mailto:info@fisiotech.com) - pec : [fisiotech@emailsec.it](mailto:fisiotech@emailsec.it)

VAT Number IT 03765100262 - Rea TV 296956

### BOBATH SERIES OPTIONAL ACCESSORIES

#### Code 123020 CASTORS

Four retractable castors to be used only to move the couch  
Ø 60 mm.



#### Code 123030 DOUBLE FOOT PEDAL

The height can be adjusted from both sides of the couch.



#### Code 120030 COT SIDES

Cot sides ensuring the patient's safety while lying on the couch. Easy to use, with a simple manual mechanism.



#### FISIOTECH SRL

**Operating Headquarters:** Via Toniolo, 44/E-F - 31028 Vazzola (TV) - ITALY

**Registered Office:** Via Valdoni, 19 - 31013 Cimavilla di Codognè (TV) - ITALY

Tel. +39 0438470342 - Fax +39 0438478762 - mail : [info@fisiotech.com](mailto:info@fisiotech.com) - pec : [fisiotech@emailsec.it](mailto:fisiotech@emailsec.it)

VAT Number IT 03765100262 - Rea TV 296956