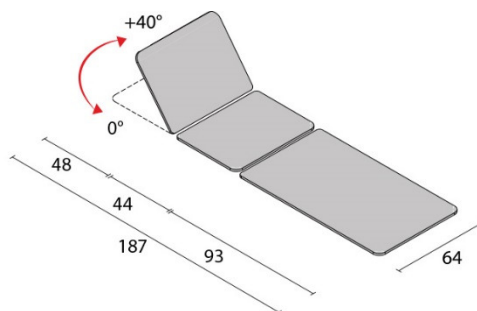


The **ANTERO** couch is a steel-framed, fixed height portable table, which can be used for examination and treatment.



TECHNICAL SPECIFICATIONS

Sections	2
Length (open)	187 cm
Width (open)	64 cm
Height (open)	72 cm
Dimensions closed (L x W x H)	95x65x15 cm
Max working load, evenly distributed	95 kg
Weight	20 kg



ANTERO TABLE MODELS

Description	Code
ANTERO	116500

FISIOTECH SRL

Operating Headquarters: Via Toniolo, 44/E-F - 31028 Vazzola (TV) - ITALY

Registered Office: Via Valdoni, 19 - 31013 Cimavilla di Codognè (TV) - ITALY

Tel. +39 0438470342 - Fax +39 0438478762 - mail : info@fisiotech.com - pec : fisiotech@emailsec.it

VAT Number IT 03765100262 - Rea TV 296956

TECHNICAL SPECIFICATIONS – PADDING

Name of material	Polyurethane foam
Reaction to fire class	1 IM (highest)
Density	30 kg/m ³
Height	20 mm



TECHNICAL SPECIFICATIONS – UPHOLSTERY

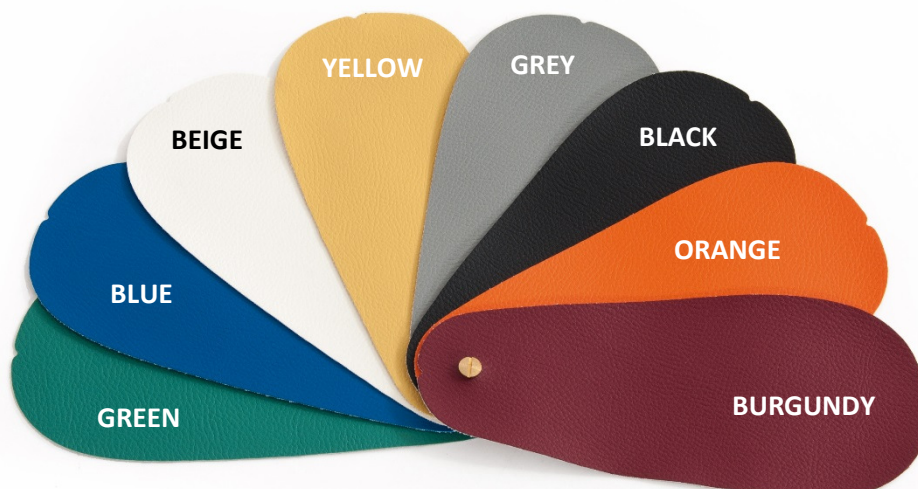


Origine ITALIA / Origin ITALY

Caratteristiche Properties	Norma Norm	Unita' Units	Valori Values	Tolleranza Allowance
Composizione spalmatura / Coating composition	100% PVC			
Resistenza a trazione Tensile resistance	Long. Long. UNI EN ISO 1421	N/5cm	300	minimo minimum
	Trasv. Across	N/5cm	200	minimo minimum
Allungamento a rottura Ultimate elongation	Long. Long. UNI EN ISO 1421	%	40	minimo minimum
	Trasv. Across	%	145	minimo minimum
Resistenza alla lacerazione Tear resistance	Long. Long. UNI EN ISO 4674 meth.B	N	20	minimo minimum
	Trasv. Across	N	15	minimo minimum
Solidità allo sfregamento Colour fastness to rubbing	UNI EN ISO 105-X12 : 2003 Scala dei grigi / Grey scale	Secco/Dry Umido/Wet		4 4
Martindale	EN 13520 : ISO 12947 EN 13520 : ISO 12947			100.000
Classe ignifugo Flame retardant norms	UNI 9175-CLASSE 1IM UNI EN 1021-1/2	ISO 3795 BS 5852 TB 117		FMVSS 302
Formaldeide Formaldehyde		ESENTE		
Lavaggi Washability	Superficie lavabile con acqua e sapone neutro Surface washable with water and neutral soap			

UPHOLSTERY COLOURS

When placing your order, please specify the upholstery colour.



FISIOTECH SRL

Operating Headquarters: Via Toniolo, 44/E-F - 31028 Vazzola (TV) - ITALY

Registered Office: Via Valdoni, 19 - 31013 Cimavilla di Codognè (TV) - ITALY

Tel. +39 0438470342 - Fax +39 0438478762 - mail : info@fisiotech.com - pec : fisiotech@emailsec.it

VAT Number IT 03765100262 - Rea TV 296956

ANTERO TABLE SET-CLOSE SERIES OPTIONAL ACCESSORIES

Code 126060 ANTERO CARRY CASE

Carry case for ANTERO table.



FISIOTECH SRL

Operating Headquarters: Via Toniolo, 44/E-F - 31028 Vazzola (TV) - ITALY

Registered Office: Via Valdoni, 19 - 31013 Cimavilla di Codognè (TV) - ITALY

Tel. +39 0438470342 - Fax +39 0438478762 - mail : info@fisiotech.com - pec : fisiotech@emailsec.it

VAT Number IT 03765100262 - Rea TV 296956